

ENCORE® 700 DIAPHRAGM METERING PUMP

DUPLEX PUMP CONFIGURATION

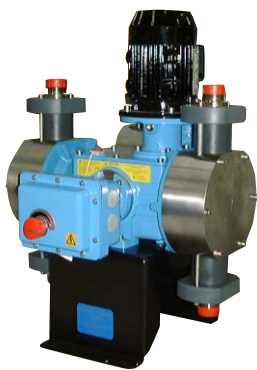
TI.440.400.3.GE

FEATURES

- Single or double ball valves
- Choice of Liquid end materials
- Duplex arrangement
- Handles capacities up to 2500 l/h, back pressures up to 12 bar
- Gearcase - cast iron construction
- Cartridge-type valves for easy service
- Manual or automatic stroke length control
- Constant speed or variable speed drive
- Direct coupled drive for additional turndown on stroke frequency



TECHNICAL INFORMATION



The pump head is available in a variety of materials including 316 stainless steel and rigid PVC

RELIABLE PERFORMANCE

The precision engineered Encore®700 liquid end ensures reliable metering performance, even under the most difficult applications. The composite diaphragm is teflon-faced for the utmost in chemical resistance and includes a steel or cast iron backing plate to ensure volumetric accuracy, even at varying suction and discharge pressures.

HANDLES A WIDE RANGE OF APPLICATIONS

The pump head is available in a variety of materials including 316 stainless steel and rigid PVC. Numerous single and double ball valve designs are available to handle mild solution, aggressive chemicals, high viscosity polymers, volatile chemicals and slurries. PVDF head and valve arrangements are offered for high temperature service.

REPEATABLE FEED RATE SETTINGS

The liquid end will handle up to 5000 centrepoise. A ten turn micrometer-type stroke length adjuster reads feed rate settings in 0.25% increments. Feed rate is infinitely adjustable from 0 to 100% using manual or electric stroke length control.

WIDE OPERATING TURNDOWN

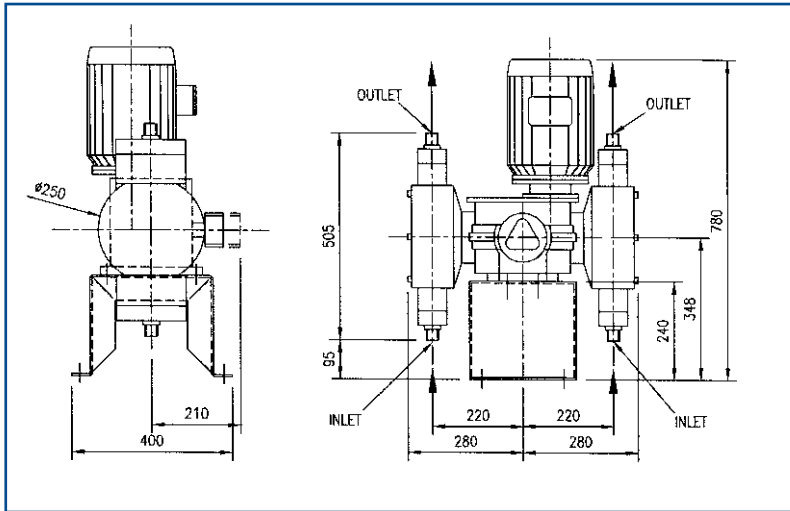
Increased operating turndown on the pulley drive arrangements achieves 40:1 turndown with a standard induction motor. With an optional variable speed AC or DC motor and VSD Control Unit, total turndown is 60:1 using stroke and speed.



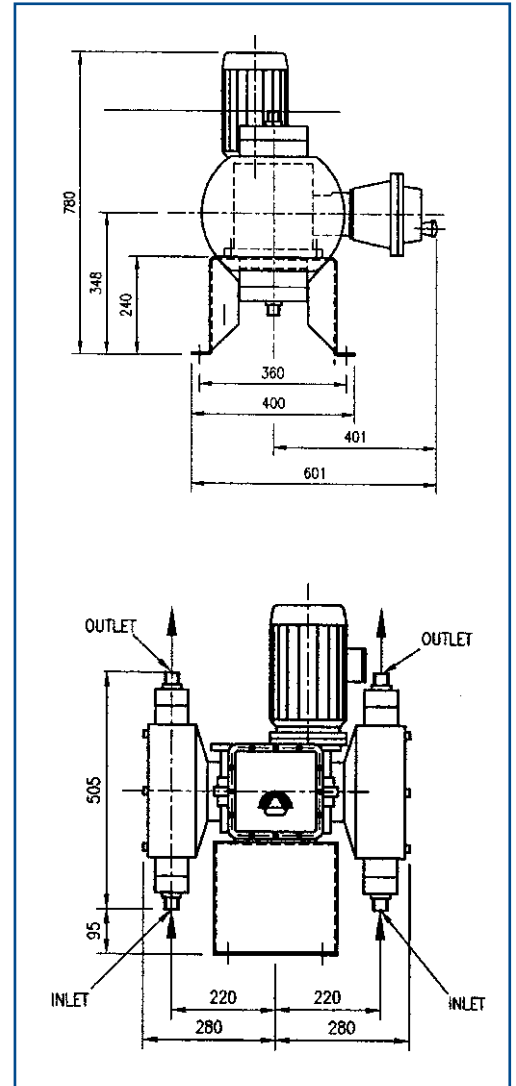
WALLACE & TIERNAN

TECHNICAL INFORMATION

CAPACITIES & DISCHARGE PRESSURES 165MM LIQUID END – DIMENSIONS



165mm Manual Control †



165mm Automatic Control †

† See drawing No's XAC1176 and XAC1140 for dimensions of other liquid ends



WALLACE & TIERNAN

CAPACITIES AND DISCHARGE PRESSURES

*Diaphragm Size (mm)	50 Hz Stroke Frequency (Stroke/Min.)	1450 RPM		Maximum Discharge Pressure (bar)			Connection BSP (Tubing)
		Capacity		Motor Kilowatts @1450 RPM Induction (Variable Speed)			
		gph	lph	.37(.37)	.37(.55)	.55(0.75)	
2 x 35mm	30	2.0	7.8	12	-	-	R ¹ / ₂ (1/4"ID x 3/8" OD)
	60	4.2	15.8	12	-	-	
	120	8.4	31.6	12	-	-	
Ends	144	10.0	37.8	12	-	-	
	30	10.0	44.2	12	-	-	R ¹ / ₂ (3/8"ID x 1/2" OD)
	60	20.0	88.4	12	-	-	
120	40.0	178.0	12	-	-		
Ends	144	48.0	212.0	12	-	-	
	30	18.8	71.0	10	-	-	R ¹ / ₂
	60	37.6	142.0	-	10	-	
120	75.0	284.0	-	-	10		
Ends	144	90.0	340.6	-	-	10	
	30	16.0	121.4	9	-	-	R ³ / ₄
	60	32.1	242.8	-	9	-	
120	64.2	485.8	-	-	9		
Ends	144	77.0	582.8	-	-	9	
	30	75.0	283.9	5	-	-	R1
	60	150.0	567.8	-	5	-	
120	300.0	1135.6	-	-	5		
Ends	144	360.0	1362.6	-	-	5	
	30	132.0	520.0	3	-	-	1 1/2
	60	264.0	1040.0	-	3	-	
120	528.0	2082.0	-	-	3		
Ends	144	634.0	2500.0	-	-	3	

* It is possible use different size liquid ends on the duplex version for individual head capacities divide figure shown by 2.



FM53933



Western Region
(08) 9412 6100
hydramet@hydramet.com.au

Central Region
(08) 8374 7800
hydrasa@hydramet.com.au

Eastern Region
(03) 9325 3900
hydramet@hydramet.com.au

MEETING QUALITY STANDARDS

In the continued development and improvement of our products certain specifications may be altered without prior notice.

www.hydramet.com.au