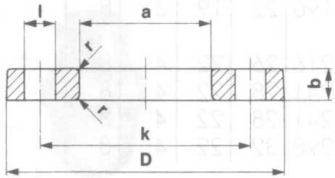


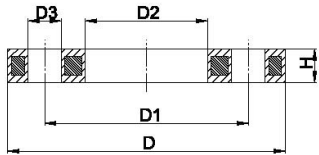
Loose Backing Flange Galvanised Table D & E PN15

20



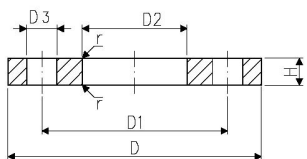
| DN | NB | PN | Part Number | No. of Holes | Bolt Circle d | D | a | K | b | Price |
|--------|-------|----|-------------|--------------|---------------|-----|-----|-----|----|---------|
| 15 mm | 1/2" | 16 | 724 701 406 | 4 | 15 | 89 | 28 | 67 | 7 | \$15.19 |
| 20 mm | 3/4" | 16 | 724 701 407 | 4 | 15 | 98 | 34 | 73 | 7 | \$16.95 |
| 25 mm | 1" | 16 | 724 701 408 | 4 | 15 | 108 | 42 | 83 | 7 | \$20.00 |
| 32 mm | 1.25" | 16 | 724 701 409 | 4 | 15 | 117 | 51 | 88 | 8 | \$13.91 |
| 40 mm | 1.5" | 16 | 724 701 410 | 4 | 15 | 127 | 62 | 99 | 10 | \$17.96 |
| 50 mm | 2" | 16 | 724 701 411 | 4 | 18 | 152 | 78 | 115 | 10 | \$34.00 |
| 65 mm | 2.5" | 16 | 724 701 412 | 4 | 18 | 178 | 92 | 127 | 10 | \$19.93 |
| 80 mm | 3" | 16 | 724 701 413 | 4 | 18 | 190 | 110 | 146 | 10 | \$46.00 |
| 100 mm | 4" | 16 | 724 701 414 | 4 | 18 | 229 | 133 | 178 | 10 | \$25.47 |
| 100 mm | 4" | 16 | 724 701 415 | 8 | 18 | 229 | 133 | 178 | 10 | \$38.78 |
| 155 mm | 6" | 16 | 724 701 417 | 8 | 22 | 279 | 200 | 235 | 10 | \$74.00 |
| 195 mm | 8" | 16 | 724 701 419 | 8 | 22 | 343 | 250 | 292 | 10 | \$62.10 |

Backing Flanges PP—Steel ANSI 150 PN15



| DN | NB | PN | Part Number | No of Holes | D3 | D | D1 | D2 | H | Price |
|--------|-------|----|-------------|-------------|----|-----|-----|-----|----|----------|
| 15 mm | 1/2" | 16 | 727 701 206 | 4 | 16 | 95 | 60 | 28 | 12 | \$21.20 |
| 20 mm | 3/4" | 16 | 727 701 207 | 4 | 16 | 105 | 70 | 34 | 12 | \$24.00 |
| 25 mm | 1" | 16 | 727 701 208 | 4 | 16 | 115 | 79 | 42 | 16 | \$30.40 |
| 32 mm | 1.25" | 16 | 727 701 209 | 4 | 16 | 140 | 89 | 51 | 16 | \$36.10 |
| 40 mm | 1.5" | 16 | 727 701 210 | 4 | 16 | 150 | 98 | 62 | 18 | \$43.10 |
| 50 mm | 2" | 16 | 727 701 211 | 4 | 19 | 165 | 121 | 78 | 18 | \$54.50 |
| 65 mm | 2.5" | 16 | 727 701 212 | 4 | 19 | 185 | 140 | 92 | 18 | \$60.80 |
| 80 mm | 3" | 16 | 727 701 213 | 4 | 19 | 200 | 152 | 110 | 20 | \$73.00 |
| 100 mm | 4" | 16 | 727 701 214 | 8 | 19 | 229 | 190 | 133 | 20 | \$89.20 |
| 155 mm | 6" | 16 | 727 701 217 | 8 | 22 | 285 | 241 | 190 | 24 | \$154.50 |
| 195 mm | 8" | 16 | 727 701 220 | 8 | 22 | 340 | 298 | 250 | 27 | \$224.00 |

Loose Backing Flange PP-V ANSI 150 PN15



| DN | NB | PN | Part Number | No. of Holes | Bolt | D3 | D | D1 | D2 | H | Price |
|--------|-------|----|-------------|--------------|------|----|-----|-----|-----|----|----------|
| 15 mm | 1/2" | 16 | 727 701 406 | 4 | M12 | 16 | 95 | 60 | 28 | 4 | \$12.10 |
| 20 mm | 3/4" | 16 | 727 701 407 | 4 | M12 | 16 | 105 | 70 | 34 | 17 | \$13.60 |
| 25 mm | 1" | 16 | 727 701 408 | 4 | M12 | 16 | 115 | 79 | 42 | 18 | \$17.40 |
| 32 mm | 1.25" | 16 | 727 701 409 | 4 | M16 | 16 | 140 | 89 | 51 | 20 | \$20.70 |
| 40 mm | 1.5" | 16 | 727 701 410 | 4 | M16 | 16 | 150 | 98 | 62 | 22 | \$24.70 |
| 50 mm | 2" | 16 | 727 701 411 | 4 | M16 | 19 | 165 | 121 | 78 | 24 | \$31.00 |
| 65 mm | 2.5" | 16 | 727 701 412 | 4 | M16 | 19 | 185 | 140 | 92 | 26 | \$34.50 |
| 80 mm | 3" | 16 | 727 701 413 | 4 | M16 | 19 | 200 | 152 | 110 | 27 | \$41.40 |
| 100 mm | 4" | 16 | 727 701 414 | 8 | M16 | 19 | 229 | 190 | 133 | 28 | \$51.00 |
| 155 mm | 6" | 16 | 727 701 417 | 8 | M20 | 22 | 285 | 241 | 190 | 32 | \$161.50 |
| 195 mm | 8" | 16 | 727 701 420 | 8 | M20 | 22 | 340 | 270 | 250 | 34 | \$127.50 |

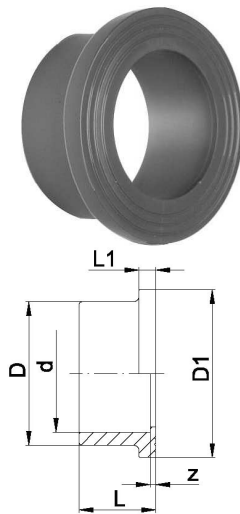
Prices effective 01/07/10
Subject to change without notice

Prices exclusive of GST

www.hydramet.com.au
Western Region: (08) 9251 5200
Central Region: (08) 8374 7800
Eastern Region: (03) 9315 3088

PVC-U Stub Flange PN15

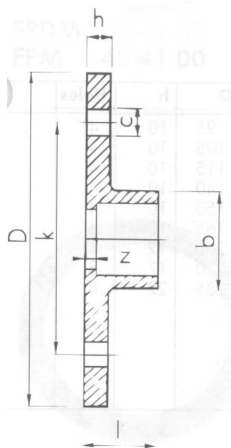
21



| DN | NB | PN | Part Number | Z | D1 | D | L1 | L | Price |
|--------|-------|----|-------------|---|-----|-----|----|-----|----------|
| 15 mm | 1/2" | 15 | 721 791 106 | 3 | 34 | 27 | 6 | 21 | \$1.70 |
| 20 mm | 3/4" | 15 | 721 791 107 | 3 | 41 | 33 | 7 | 24 | \$1.90 |
| 25 mm | 1" | 15 | 721 791 108 | 3 | 50 | 41 | 7 | 27 | \$2.40 |
| 32 mm | 1.25" | 15 | 721 791 109 | 3 | 61 | 50 | 8 | 32 | \$3.60 |
| 40 mm | 1.5" | 15 | 721 791 110 | 3 | 73 | 61 | 8 | 33 | \$6.40 |
| 50 mm | 2" | 15 | 721 791 111 | 3 | 91 | 77 | 9 | 40 | \$10.20 |
| 65 mm | 2.5" | 15 | 721 791 112 | 3 | 106 | 91 | 10 | 47 | \$18.90 |
| 80 mm | 3" | 15 | 721 791 113 | 5 | 125 | 108 | 11 | 56 | \$24.80 |
| 100 mm | 4" | 15 | 721 791 115 | 5 | 155 | 136 | 12 | 69 | \$61.40 |
| 155 mm | 6" | 15 | 721 791 117 | 5 | 217 | 198 | 16 | 96 | \$136.50 |
| 195 mm | 8" | 15 | 721 791 120 | 6 | 274 | 248 | 20 | 122 | \$216.65 |

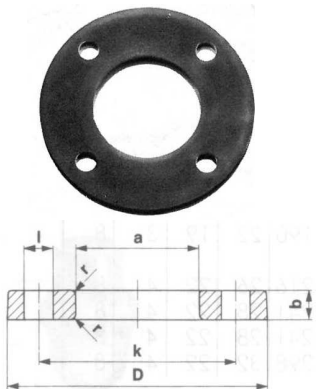
PVC-U Full Face Flange PN15 Undrilled

Backing rings must be used in conjunction with all Full Face Flanges for pressure ratings over 2 bar.



| DN | NB | PN | Part Number | z | D | h | b | l | Price |
|--------|-------|----|-------------|---|-----|----|-----|----|----------|
| 15 mm | 1/2" | 15 | 721 730 006 | 3 | 95 | 10 | 27 | 21 | \$13.10 |
| 20 mm | 3/4" | 15 | 721 730 007 | 3 | 105 | 10 | 33 | 24 | \$13.10 |
| 25 mm | 1" | 15 | 721 730 008 | 3 | 115 | 10 | 41 | 27 | \$16.30 |
| 32 mm | 1.25" | 15 | 721 730 009 | 3 | 140 | 10 | 50 | 32 | \$22.40 |
| 40 mm | 1.5" | 15 | 721 730 010 | 3 | 150 | 10 | 61 | 33 | \$23.60 |
| 50 mm | 2" | 15 | 721 730 011 | 3 | 165 | 10 | 77 | 40 | \$28.60 |
| 80 mm | 3" | 15 | 721 730 013 | 5 | 200 | 12 | 108 | 56 | \$38.30 |
| 100 mm | 4" | 15 | 721 730 014 | 5 | 220 | 17 | 136 | 69 | \$85.00 |
| 155 mm | 6" | 15 | 721 730 017 | 5 | 285 | 22 | 198 | 96 | \$221.00 |

Loose Backing Flange Galvanised ANSI 150 PN15



| DN | NB | PN | Part Number | No. of Holes | Bolt | Bolt Circle d | D | a | K | b | Price |
|--------|-------|----|-------------|--------------|---------|---------------|-----|-----|-----|----|---------|
| 15 mm | 1/2" | 16 | 724 701 806 | 4 | M12x055 | 16 | 89 | 28 | 60 | 7 | \$14.63 |
| 20 mm | 3/4" | 16 | 724 701 807 | 4 | M12x060 | 16 | 98 | 34 | 70 | 7 | \$15.69 |
| 25 mm | 1" | 16 | 724 701 808 | 4 | M12x060 | 16 | 108 | 42 | 79 | 7 | \$17.50 |
| 32 mm | 1.25" | 16 | 724 701 809 | 4 | M12x070 | 16 | 117 | 51 | 89 | 8 | \$18.56 |
| 40 mm | 1.5" | 16 | 724 701 810 | 4 | M12x075 | 16 | 127 | 62 | 98 | 10 | \$20.57 |
| 50 mm | 2" | 16 | 724 701 811 | 4 | M16x080 | 19 | 152 | 78 | 121 | 10 | \$33.90 |
| 65 mm | 2.5" | 16 | 724 701 812 | 4 | M16x085 | 19 | 178 | 92 | 140 | 10 | \$39.13 |
| 80 mm | 3" | 16 | 724 701 813 | 4 | M16x090 | 19 | 190 | 110 | 152 | 10 | \$43.48 |
| 100 mm | 4" | 16 | 724 701 815 | 8 | M16x095 | 19 | 229 | 133 | 190 | 10 | \$51.30 |
| 155 mm | 6" | 16 | 724 701 817 | 8 | M20x120 | 22 | 279 | 200 | 241 | 10 | \$60.70 |
| 195 mm | 8" | 16 | 724 701 819 | 8 | M20x150 | 22 | 343 | 250 | 298 | 10 | \$81.70 |

Prices effective 01/07/10
Subject to change without notice

Prices exclusive of GST

www.hydramet.com.au
Western Region: (08) 9251 5200
Central Region: (08) 8374 7800
Eastern Region: (03) 9315 3088