

# ACCU-PULSE III Pulsation Dampeners

Chargeable / Metal / Flat Top



- remove pulsating flows from positive displacement pumps
- increase system efficiency and pump life
- decrease maintenance and costs
- protect pipes, meters, instruments, valves, gaskets and seals from pulsation and vibration
- ensure meter accuracy, longevity and repeatability
- reduce pressure fluctuations and diaphragm wear
- prevent foaming and splashing

## FEATURES

- CRN is available on certain metallic units
- extensive range of materials
- lightweight, compact design
- 300 psi rating
- easy in-line maintenance
- 2 year warranty

## Technical Data

**Unit Capacity:** 175 CU In

**Weight:** 26-27 pounds

**Air Control:** Gas Fill Valve

**Inlet Port:** 2" NPTF

**Pressure Limit:** 300 psi at 70° F \*\* (optional 1000 psi @ 70° F add suffix -H)

**Shell Materials:** 316L Stainless Steel, Alloy 20, Hastelloy C, Carbon S teel

**Elastomers:** Neoprene, Buna-N, EPDM, Viton, Hypalon, Teflon (max 150 psi)

**\*\*Caution:** Temperature and pressure affect the strength and chemical resistance of plastic and rubber.

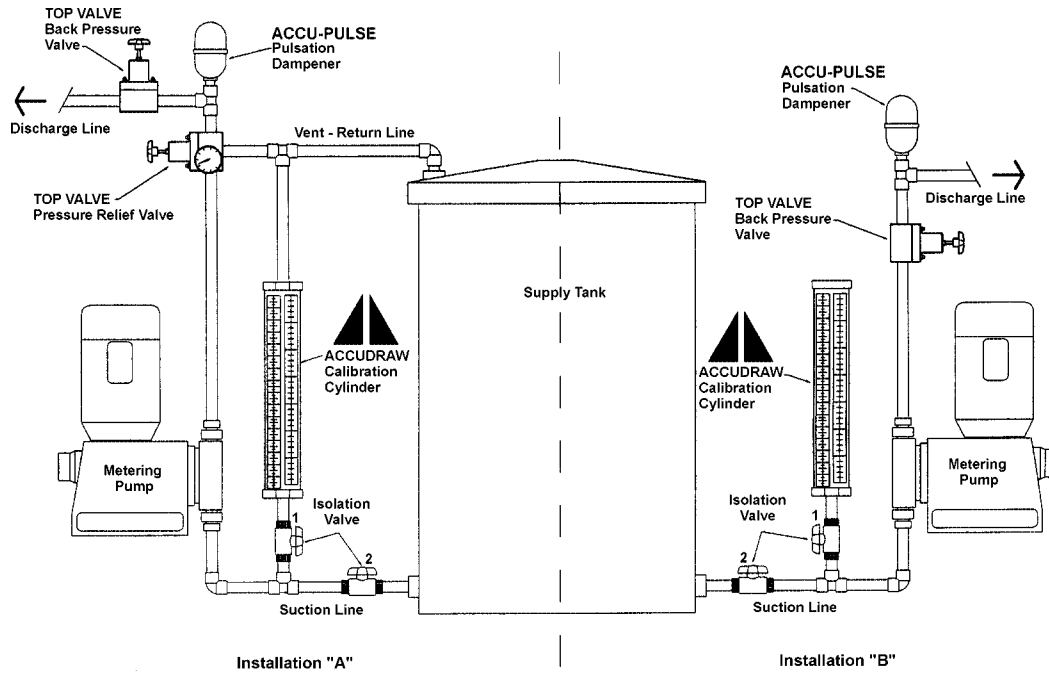
[www.hydramet.com.au](http://www.hydramet.com.au)

# ACCU-PULSE IIF Pulsation Dampeners

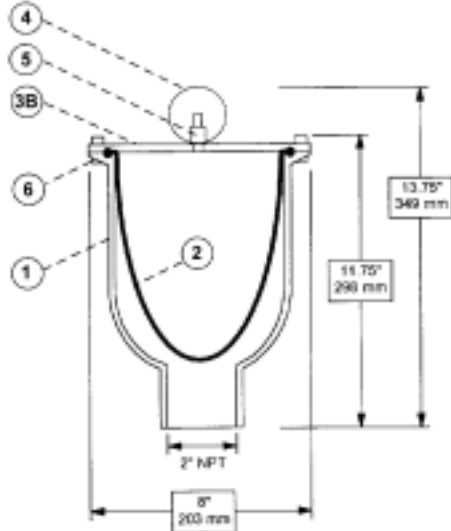
## Operation:

ACCU-Pulse pulsation dampeners operate on the principal that volume is inversely proportional to pressure. Compressed air or gas is introduced into the top section of ACCU-Pulse to a specified pressure that must be lower than the pump's discharge pressure. When a pump or valve introduces a pulse, fluid enters the dampener and compresses the trapped gas. The fluid remains in the dampener until the system pressure returns to normal, when the valve is reopened or the pump begins its next cycle. The fluid is then pushed back into the system piping as the trapped gas expands. ACCU-Pulse does NOT restrict fluid flow, or increase system pressure. ACCU-Pulse fills the fluid voids and pressure fluctuations created by reciprocating pumps.

## Typical Installations:



## Dimensions:



## Parts Description:

| Item                             | Part#   | Qty | Description           | Material            |
|----------------------------------|---------|-----|-----------------------|---------------------|
| 1                                | 901-28  | 1   | Wetted Housing        | 316 Stainless Steel |
|                                  | 907-28  |     | Wetted Housing        | Alloy 20            |
|                                  | 905-28  |     | Wetted Housing        | Hastelloy C         |
| ⊕2                               | 101-25  | 1   | Bladder               | Neoprene            |
|                                  | 201-28  |     | Bladder               | EPDM                |
|                                  | 201-29  |     | Bladder               | Buna - N            |
|                                  | 201-30  |     | Bladder               | Hypalon             |
|                                  | 201-25  |     | Bladder               | Viton               |
|                                  | 101-55  |     | Bladder               | Aflas               |
|                                  | 101-10  |     | Bladder               | Teflon              |
| 3B                               | 901-43  | 1   | NonWetted Housing     | 316 Stainless Steel |
| ⊕4                               | G40     | 1   | Gauge (All Bladders ) | S/S / Brass         |
| ⊕5                               | 101-71  | 1   | Fill Valve            | Stainless Steel     |
| 6                                | 901-47  | 8   | Fastener Assembly     | Stainless Steel     |
|                                  | 901-50+ |     | Fastener Assembly     | Stainless Steel     |
| + only used with Teflon Bladders |         |     |                       |                     |
| ⊕ Recommended Spare Parts        |         |     |                       |                     |



**Western Region**  
(08) 9412 6100  
hydramet@hydramet.com.au

**Central Region**  
(08) 8374 7800  
hydrasa@hydramet.com.au

**Eastern Region**  
(03) 9325 3900  
hydravic@hydramet.com.au