

# SpillSafe™ DRUM SCALE

WITH INTEGRAL SECONDARY CONTAINMENT

<p><b>HELPS YOU COMPLY</b> WITH EPA REGULATION 40 CFR 264.175</p>	<p><b>SAFELY TRACK</b> CHEMICAL USAGE AND TANK LEVEL</p>	<p><b>CONTAINS SPILLS</b> AND LEAKS</p>	<p><b>66 GALLON</b> CONTAINMENT CAPACITY</p>	
---	--	---	--	--

The SpillSafe™ Drum Scale eliminates the headache of mixing and matching one manufacturer's scale with another's secondary containment system.

The SpillSafe™ accurately monitors chemical usage data, such as how much has been fed and how much remains, along with providing total chemical containment in case of a leak or spill. Polyethylene grating supports the tank and allows chemical to freely drain into the containment basin during a spill or leak. The initial 11 gallons of a leak or spill are contained directly beneath the drum in the polyethylene basin. If more capacity is required, a roll out bladder deploys enabling the system to hold a total of 66 gallons. The double layer polyethylene roll out bladder can be oriented to deploy in any direction.

Overall scale height is just over 6" for easy drum loading while still complying with regulations that require containment to store 120% of drum capacity. The SpillSafe™ Drum Scale is the perfect solution for monitoring 55-gallon drums and smaller carboys while also providing integral secondary spill containment.



**WIZARD 4000®**  
(1 TO 4 CHANNEL)



**SOLO® G2**  
(1 OR 2 CHANNEL)

The electronic Drumm-Scale can be used with either our Wizard 4000® advanced indicator or our Solo® G2 weight display.



**SPECIFICATIONS**

410

BULLETIN

**SpillSafe™ DRUM SCALE**

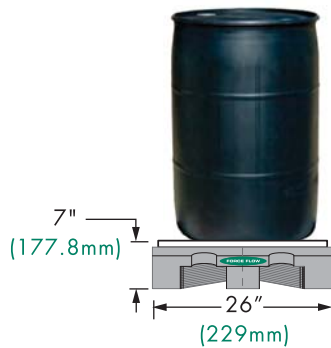
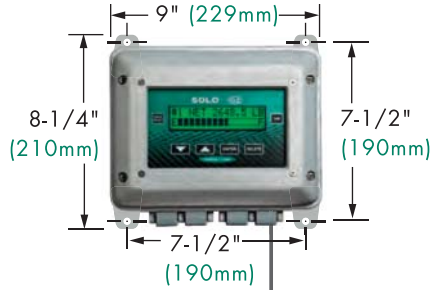
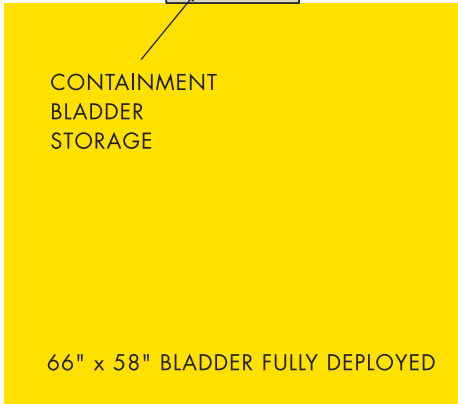
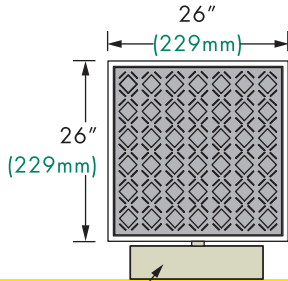
WITH INTEGRAL SECONDARY CONTAINMENT

**MODELS & ORDERING INFORMATION**

**MODEL: 26•SC6•HA3**  
High Accuracy Scale Platform  
with 66 Gallon Spill Containment

**INDICATOR MODEL: SOLO G2 DIGITAL INDICATOR**  
with 4-20mA Output.

- SRG2-1** 1 Channel, 1 4-20mA Output
- SRG2-2** 2 Channel, 2 4-20mA Output



**OPTION**



Wizard 4000  
Advanced Multi  
Channel Weight  
Indicator may also  
be used with the  
SpillSafe

**TYPICAL SPECIFICATIONS**

A quantity of \_\_\_\_ drum scales shall of \_\_\_\_lbs (kg) capacity shall be provided and shall be of the digital readout/electronic load cell type. Scale platform shall be sized to accept up to a 24" (60cm) diameter drum. Platform shall have integral secondary containment with capacity of 66 gallons. Overall platform height shall be no more than 6" (152.4mm) to permit easy loading and unloading of drums. Platform and containment system shall be non-metallic to eliminate the possibility of corrosion.

Scale shall be of the multiple load cell design. Weight shall be transferred via pivoted platform to three (3) NTEP approved load cells of the shear beam strain gauge type. Flexible cable shall connect scale platform to indicator to allow easy remote installation of the readout. Cable length shall be \_\_\_\_ (20 ft./6M standard).

A remote mounted 32 character LCD indicator shall be housed in a NEMA 4X, UL approved enclosure, LCD indicator shall be back lit with 0.5" characters for ease of readability in low light conditions. Tare weight and level alarm setpoint values shall be entered via a keypad. Indicator shall output net weight via a 4-20mA signal for remote monitoring. Indicator shall have \_\_\_\_ adjustable set points for alarms or liquid level control.

Scale shall carry a full five (5) Year Factory Warranty. Limited warranties shall be considered unacceptable. Full scale accuracy shall be better than 1/4 of 1%. Scale shall be SpillSafe model 26-SC6-HA3 and Solo G2 digital display Model SRG2-\_\_\_\_ (1 or 2 channel), as manufactured by FORCE FLOW, 2430 Stanwell Dr., Concord, California 94520 USA. www.forceflow.com



**Western Region**  
(08) 9412 6100  
hydramet@hydramet.com.au

**Central Region**  
(08) 8374 7800  
hydrasa@hydramet.com.au



**Eastern Region**  
(03) 9325 3900  
hydravic@hydramet.com.au